

DIGITAL HEIGHT GAUGES



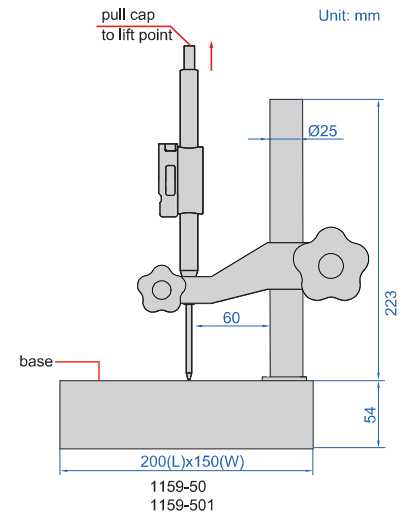
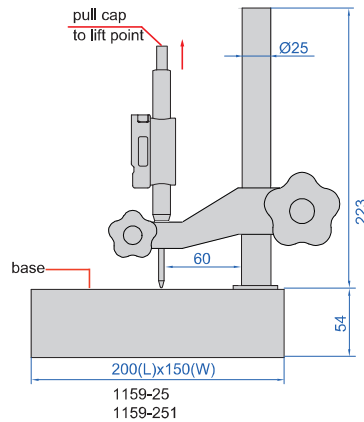
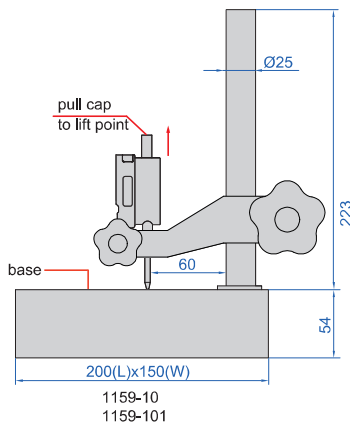
1159-101



1159-25



1159-501

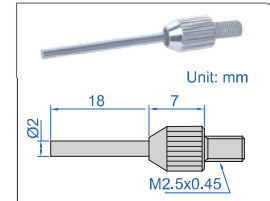


- Granite base flatness: 2.5µm
- Vertical travel of holder: 170mm
- Battery CR2032, data output
- Button function: on/off, inch/mm, zero, data preset, change measuring direction, absolute/incremental measurement
- Supplied with dust cover
- Optional accessory:
wireless transmitter code **7315-51** (receiver is needed) , contact points

spindle lift knob (included)



measuring tip (included)



Code	Digital indicator stroke	Resolution	Accuracy	Maximum measuring force
1159-10	12.7mm/0.5"	0.01mm/0.0005"	20µm	1.5N
1159-25	25.4mm/1"	0.01mm/0.0005"	20µm	2.2N
1159-50	50.8mm/2"	0.01mm/0.0005"	30µm	2.5N
1159-101	12.7mm/0.5"	0.001mm/0.00005"	5µm	1.5N
1159-251	25.4mm/1"	0.001mm/0.00005"	5µm	2.2N
1159-501	50.8mm/2"	0.001mm/0.00005"	6µm	2.5N